

# MAG-11 air dryer and piston compressor drain

**Magnetically operated zero air loss condensate drain**

## PRODUCT FEATURES

The MAG-11 is the optimum choice in energy saving condensate drains. Unlike timed or electronic drains which require electricity to operate, the MAG-11 operates using a magnetic level sensor providing energy saving zero air loss operation without the need for a power source.

Perfectly suited for coolers, refrigerated dryers, liquid separators and piston compressors, the MAG-11 uses a 2/2 way level controlled magnetic actuator which opens and closes a direct cylinder valve, discharging the condensate from your compressed air system without losing any of your valuable compressed air.

The MAG-11 meets the demands of virtually any application regardless of the condensate flow. It fits any compressed air filter regardless of size without any set up or adjustment.



**No electricity required!**

## COMMERCIAL BENEFITS

- Top or side inlet for easy installation.
- Condensate discharge from dryers and piston compressors.
- Clever servicing feature.
- The side inlet can also be used as a sight port option.
- Personal branding opportunities are available.

## TECHNICAL ADVANTAGES

- Zero air loss during the condensate discharge.
- Top and bottom inlet options
- No electricity required to operate the drain.
- Magnetically operated, long life magnets applied.
- Operating pressure range is 0 to 230 PSI.
- Direct acting valve with FPM seals.
- Robust corrosion resistant aluminium housing, finished with an Electrophoretic coating.
- The direct acting valve is serviceable.
- Bottom (outlet) can be rotated 360 degrees for installation simplicity.

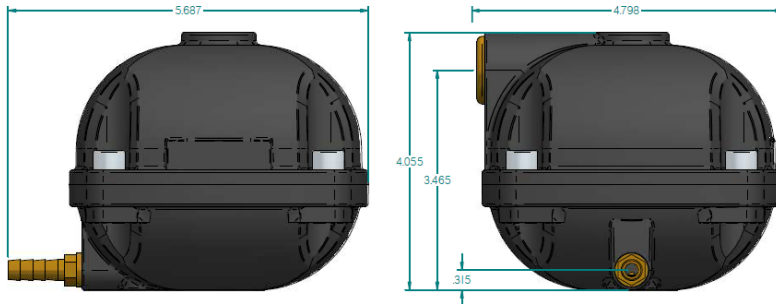
### Opportunity!

**Install the MAG-11 in refrigerated dryers and under piston type compressors, offering a zero air loss solution without the need of electrical power supply!**

# MAG-11 air dryer and piston compressor drain

Magnetically operated zero air loss condensate drain

## DIMENSIONS



## SPECIFICATIONS

Maximum drainage capacity	52 gallon per hour
Inlet connection	1/2" NPT
Outlet connection	1/8"
Minimum system pressure	0 bar
Maximum system pressure	230 PSI
Minimum medium temperature	34 °F
Maximum medium temperature	122 °F
Valve orifice	2.0 mm
Type of operating valve	Stainless steel direct acting valve assembly
Valve seals	FPM
Housing material	Corrosion resistant Aluminium (EP coated)

Install a MAG-11 and offer reliable condensate draining in dryers and piston compressors.



Information provided herewith is believed to be accurate and reliable. However, no responsibility is assumed for its use or for any infringement of patents or rights of others, which may result from its use. In addition, JORC reserves the right to revise information without notice and without incurring any obligation.

**JORC Industrial LLC**  
 1146 River Road  
 New Castle, DE 19720  
 USA

Tel +1 302-395 0310  
 Fax +1 302-395-0312  
 E-mail [info@jorc.com](mailto:info@jorc.com)  
 Web [www.jorc.com](http://www.jorc.com)